

AVAILABLE MODEL NUMBERS

Nominal Voltage	20kA Surge Rated	30kA Surge Rated	40kA Surge Rated
12Vdc (+)(-)(G) 9Vac (L-N-G)	TSdi 020R 012 D01M		
24Vdc (+)(-)(G) 17Vac (L-N-G)	TSdi 020R 024 D01M		
48Vdc (+)(-)(G) 34Vac (L-N-G)		TSdi 030R 048 D01M	
75Vdc (+)(-)(G) 53Vac (L-N-G)			TSdi 040R 075 D01M
95Vdc (+)(-)(G) 67Vac (L-N-G)			TSdi 040R 095 D01M
110Vdc (+)(-)(G) 78Vac (L-N-G)			TSdi 040R 110 D01M
130Vdc (+)(-)(G)			TSdi 040R 130 D01M
220Vdc (+)(-)(G)			TSdi 040R 220 D01M
280Vdc (+)(-)(G)			TSdi 040R 280 D01M
350Vdc (+)(-)(G)			TSdi 040R 350 D01M

ELECTRICAL SPECIFICATIONS

Nominal Voltage	12 Options
Max. Operating Voltage (MCOV)	12 Options
Max. Surge Current	40kA
Max. Line Current (OCOD Size)	30A
Nom. Discharge Current (In)	20kA
Frequency	50 - 60Hz
Operating Temperature	-40°C to 60°C
Form C Contact	Yes (See Fig. D)

MECHANICAL SPECIFICATIONS

Termination Method	Screw Terminal (#8 - #12AWG)
Disconnect Indication	Visual Indicator & Form C Contact
Housing	Thermoplastic NEMA 2 (IP20)
Dimensions	4 Options
Mounting	35mm Symmetrical DIN Rail
Outdoor Use	No

LIMITED SUPPRESSION WARRANTIES

THOR SYSTEMS, INC. warrants to the original purchaser/end user that this Surge Protective Device (SPD/TVSS), if purchased and used solely in the continental United States, will be free from defects in materials and workmanship for a period of five (5) years from the date of purchase. During such limited warranty period, THOR SYSTEMS will not charge the original purchaser/end user to repair or replace the product, or a part or component therein (with the same or a similar product, part or component) at THOR SYSTEMS' option, any product, part or component which proves to have a defect in materials or workmanship, provided the product, part or component is returned prepaid, at the cost and expense of the purchaser/end user, to THOR SYSTEMS, INC.'S manufacturing facility in Richmond, Virginia, within the limited warranty period. All costs and expenses incurred in connection with the removal, shipment, handling and reinstallation of the repair or replaced product, part or component, as well as diagnosis, shall be borne by the purchaser/end user. A Return Material Authorization (RMA) number must be obtained from the Company's customer service department before returning any products.

At the request of the purchaser/end user, and at the cost and expense of the purchaser/end user (at our currently published rates, portal-to-portal), and with reasonable expectation of payment, THOR SYSTEMS, INC. will: (a) provide assistance in the diagnosis, removal, and reinstallation of a repaired or replaced product, part or component; (b) undertake to repair or replace any product, part or component at a location other than THOR SYSTEMS' manufacturing facility in Richmond, Virginia.

The foregoing limited warranties shall not apply unless a Warranty Registration Card is completed and returned via mail, fax, or email to THOR SYSTEMS, INC. within thirty (30) days of the date of purchase. The foregoing limited warranties shall not apply if the product, or any parts or components, are modified, tampered with, misused, misapplied, or subjected to abnormal working conditions (including, but not limited to, water or other overexposure). The limited warranty for repaired product or replacement product, parts or components will be only the remaining portion of the original limited warranty.

THESE LIMITED WARRANTIES DO NOT GUARANTEE UNINTERRUPTED SERVICE. REPAIR OR REPLACEMENT AS PROVIDED UNDER THESE LIMITED WARRANTIES ARE THE EXCLUSIVE REMEDY OF THE PURCHASER/END USER. THESE LIMITED WARRANTIES ARE IN LIEU OF ALL OTHER WARRANTIES, EXPRESSED OR IMPLIED, INCLUDING, BUT NOT LIMITED TO, ANY IMPLIED WARRANTY OF MERCHANTABILITY OR FITNESS FOR A PARTICULAR USE OR PURPOSE: ALL OF WHICH ARE HEREBY EXCLUDED AND EXPRESSLY DISCLAIMED. THOR SYSTEMS, INC. SHALL IN NO EVENT BE LIABLE FOR ANY SPECIAL, INDIRECT, INCIDENTAL, PUNITIVE, OR CONSEQUENTIAL DAMAGES OF ANY KIND OR CHARACTER, INCLUDING, WITHOUT LIMITATION, LOSS OF REVENUE OR PROFITS, FAILURE TO REALIZE SAVINGS OR OTHER BENEFITS, LOSS OF DATA OR USE, DAMAGE TO EQUIPMENT AND CLAIMS AGAINST THE PURCHASER/END USER BY ANY THIRD PERSON, EVEN IF THOR SYSTEMS, INC. HAS BEEN ADVISED OF THE POSSIBILITY OF SUCH DAMAGES. THOR SYSTEMS, INC.'S TOTAL LIABILITY ON ANY CLAIM MADE AGAINST IT SHALL NOT IN ANY EVENT EXCEED THE PURCHASE PRICE PAID TO THOR SYSTEMS, INC. FOR THE DEFECTIVE PRODUCT.



THOR SYSTEMS, INC.
3621 Saunders Avenue
Richmond, VA 23227-4354
Ph 804.355.1100 - www.thorsystems.us

Series TSdi

Operation Manual



** Image is not model specific **

THOR SYSTEMS continuously strives to improve its products. Occasionally there may be changes in features or optional equipment. All information contained in this printed material is based on the latest product information available at the time of printing. THOR SYSTEMS reserves the right to implement changes, without notice, in specifications and equipment services.

Fig. A__ - CONNECTION METHOD

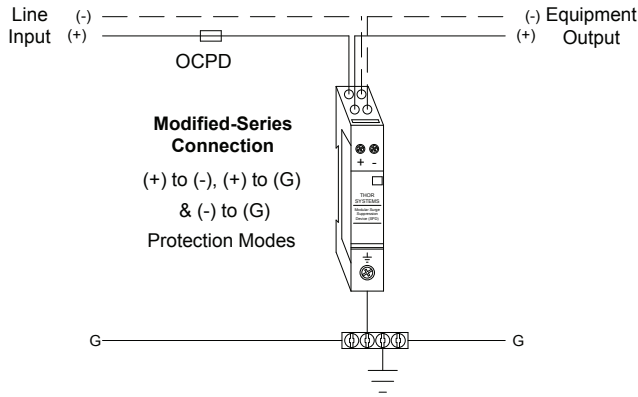
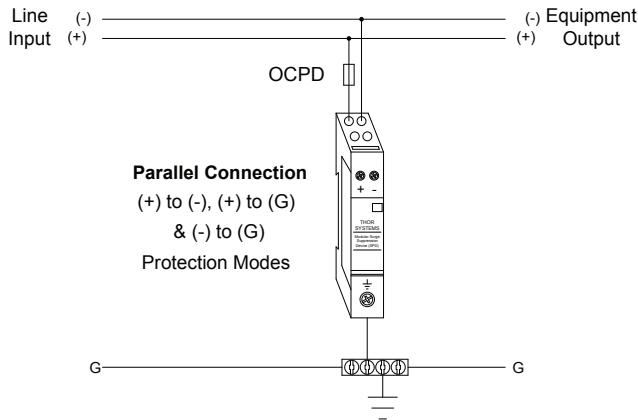
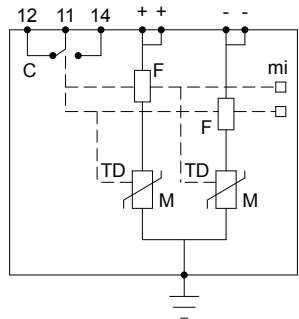
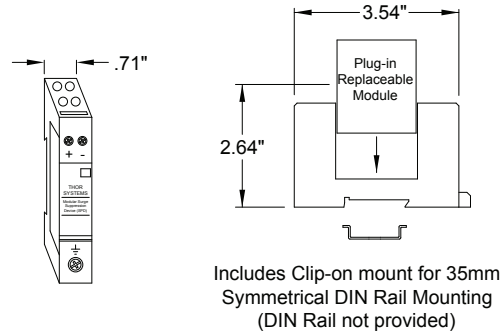


Fig. B - TECHNOLOGY / SCHEMATIC



- TD Thermal Disconnect
- F Thermal Fuse
- M Metal Oxide Varistor
- C Form C Contact (See Fig. D)
- mi Mechanical Indicator

Fig. C - DIMENSIONS



INSTALLATION

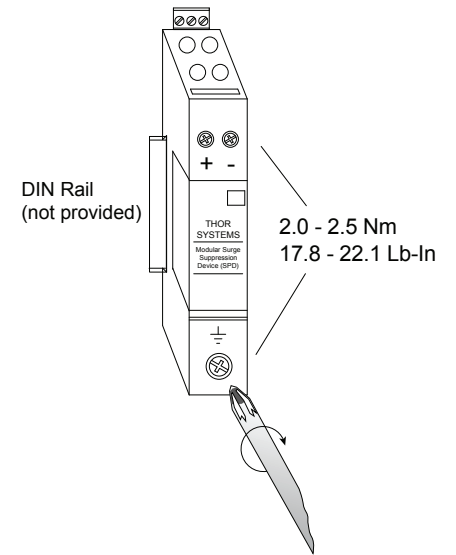
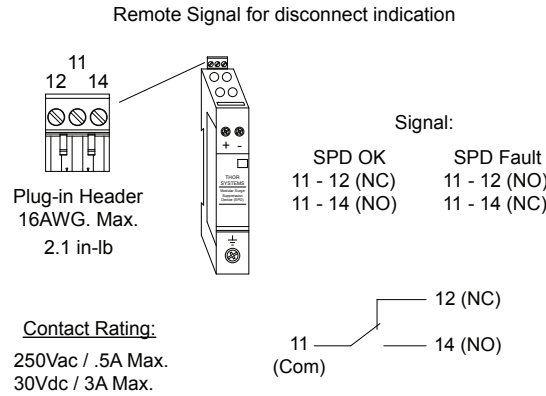
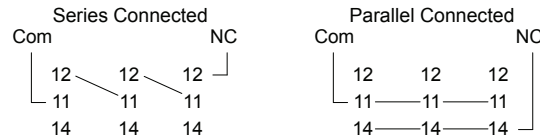


FIG. D - FORM C CONTACT



Contact Rating:
 250Vac / .5A Max.
 30Vdc / 3A Max.



SPD FAILURE INDICATION

If the SPD fails, the Fault Indicator Window turn RED, and the FORM C Contact (See Fig. D) will change state. Service Interruption will NOT be experienced.

