

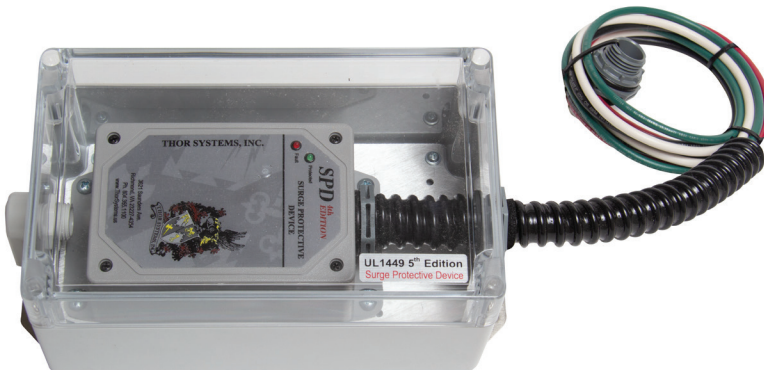
# Series TSn Residential Spec Sheet



**THOR SYSTEMS, INC.**  
3621 Saunders Avenue  
Richmond, VA 23227-4354  
Ph 804.355.1100 - [www.thorsystems.us](http://www.thorsystems.us)

## Series TSn Residential 120Vac or 240/120Vac SPD with #10AWG Conductors

- 120Vac or 240/120Vac Models
- 50kA L-N & N-G
- NEMA 1 or NEMA 4X Models



\*\* Image is not model specific \*\*

### AVAILABLE MODELS

Nominal Voltage	Enclosure Type	Model Number
120Vac (2W + G)	NEMA 1	TSnc050Wz 1S1 P000
	NEMA 4X	TSnc050Wz 1S1 P001
120/240Vac (2W + G)	NEMA 1	TSnc050Wz 2S1 P000
	NEMA 4X	TSnc050Wz 2S1 P001

### GENERAL SPECIFICATIONS

Application	Residential AC Panel SPD
Connection Method	Fig. A - Parallel
Technology	Fig. B - Thermally Protected Metal Oxide Varistor (TpMOV)
Protection Modes	L-N & N-G
Modular	No
Agency	UL1449 5th Edition
Warranty	5 Years

### ELECTRICAL SPECIFICATIONS

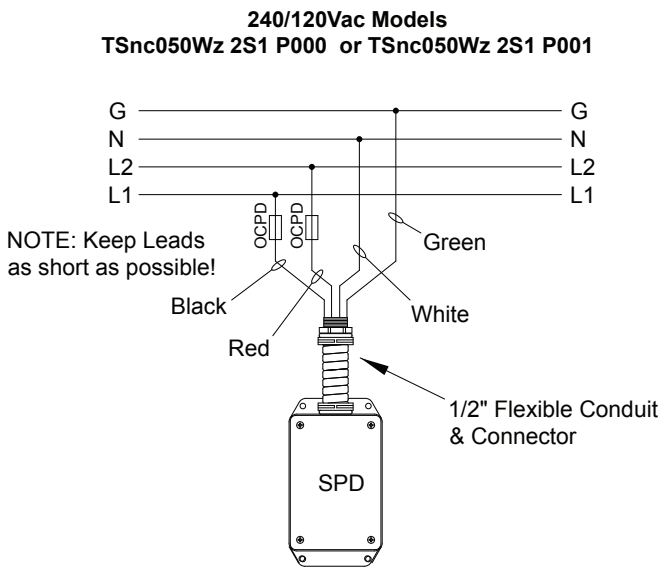
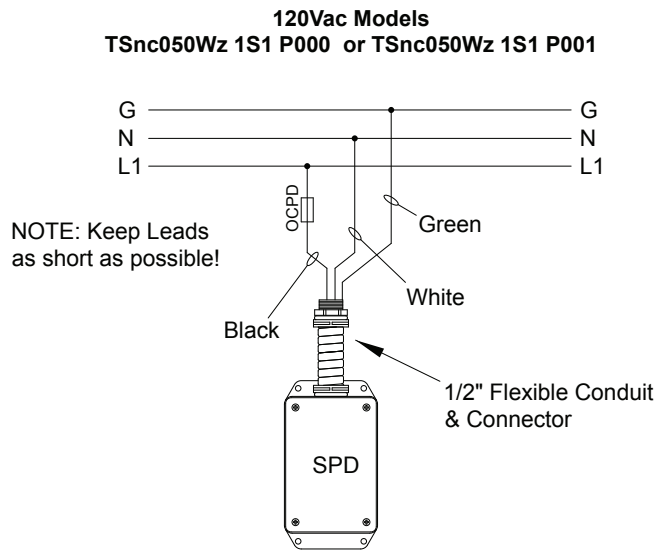
Nominal Voltage	2 Options
Max. Operating Voltage (MCOV)	2 Options
Max. Surge Current	50kA
Max. Line Current (OCOD Size)	30A
Nom. Discharge Current (In)	20kA
Frequency	50 - 60Hz
Operating Temperature	-40°C to 60°C

### MECHANICAL SPECIFICATIONS

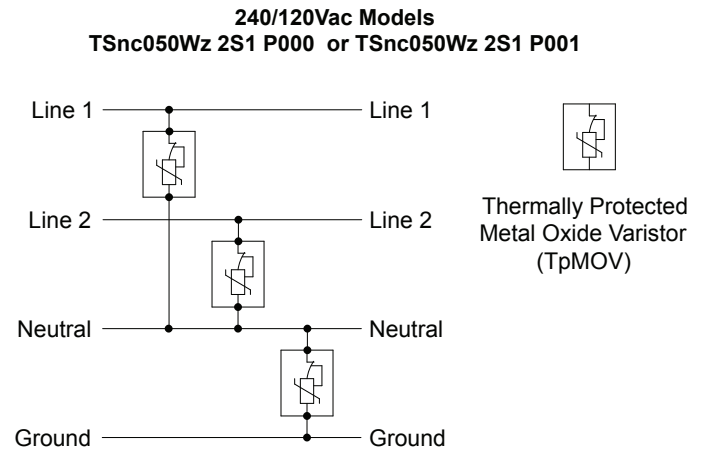
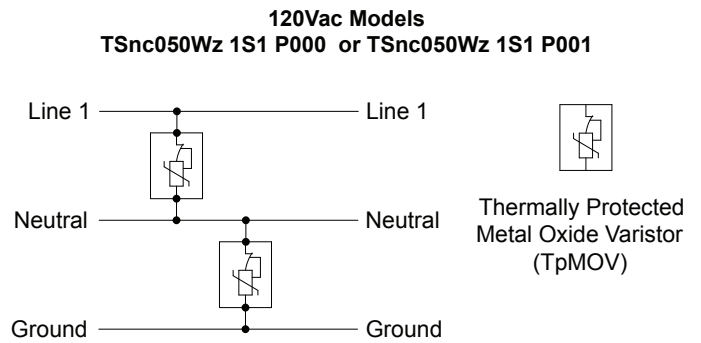
Termination Method	Wire Leads (#10AWG MTW)
Disconnect Indication	Red LED
Housing	Polycarbonate NEMA 1 (IP10) Polycarbonate NEMA 4X (IP65)
Dimensions	2 Options (Fig. C)
Mounting	Wall Mount
Outdoor Use	2 options

THOR SYSTEMS continuously strives to improve its products. Occasionally there may be changes in features or optional equipment. All information contained in this printed material is based on the latest product information available at the time of printing. THOR SYSTEMS reserves the right to implement changes, without notice, in specifications and equipment services.

**Fig. A\_\_ - CONNECTION METHOD**



**Fig. B - TECHNOLOGY / SCHEMATIC**



**Fig. C - DIMENSIONS**

