

Series TSi Spec Sheet



THOR SYSTEMS, INC.
 3621 Saunders Avenue
 Richmond, VA 23227-4354
 Ph 804.355.1100 - www.thorsystems.us



AC Circuit SPD

- 120Vac, 1Ph - 480Vac, 3Ph Models
- DIN Rail Mount; Modular Design
- 40kA 8x20 Surge Rated
- 1 or 2 Protection Modes
- Form C Contact
- Screw Terminal Connection



DIN Rail Mount Modular Design

GENERAL SPECIFICATIONS

Application	AC Circuit SPD
Connection Method	Fig. A - Parallel
Technology	Fig. B - Metal Oxide Varistor
Protection Modes	4 Options
Modular	Yes
Form C Contact	UL1449 Recognized Type 4CA
Warranty	2 Years

ELECTRICAL SPECIFICATIONS

Nominal Voltage	12 Options
Max. Operating Voltage (MCOV)	12 Options
Max. Surge Current	40kA
Max. Line Current (OCOD Size)	30A
Nom. Discharge Current (In)	20kA
Frequency	50 - 60Hz
Operating Temperature	-40°C to 60°C
Form C Contact	Yes (See Fig. D)

MECHANICAL SPECIFICATIONS

Termination Method	Screw Terminal (#8 - #12AWG)
Disconnect Indication	Visual Indicator & Form C Contact
Housing	Thermoplastic NEMA 2 (IP20)
Dimensions	4 Options
Mounting	35mm Symmetrical DIN Rail
Outdoor Use	No
ROHs Compliant	Yes



1 thru 4-Pole Model Configurations

AVAILABLE MODEL NUMBERS (Connection Figure)

Voltage	MCOV	L-N or L-G Protection	L-N & N-G or L-G & N-G Protection
1Ph, 120V	150V	TSi 040R 150 1P10 (A1)	TSi 040R 150 2P11 (A2)
2Ph, 240/120V		TSi 040R 150 2P10 (A3)	TSi 040R 150 3P11 (A4)
3Ph, 208/120V		TSi 040R 150 3P10 (A5)	TSi 040R 150 4P11 (A6)
1Ph, 240V	320V	TSi 040R 320 1P10 (A1)*	-----
1Ph, 277V		TSi 040R 320 1P10 (A1)	TSi 040R 320 2P11 (A2)
2Ph, 240V		TSi 040R 320 2P10 (A3)*	-----
2Ph, 480/277V		TSi 040R 320 2P10 (A3)	TSi 040R 320 3P11 (A4)
3Ph, 240V		TSi 040R 320 3P10 (A5)*	-----
3Ph, 480/277V		TSi 040R 320 3P10 (A5)	TSi 040R 320 4P11 (A6)
1Ph, 480V	550V	TSi 040R 550 1P10 (A1)*	-----
2Ph, 480V		TSi 040R 550 2P10 (A3)*	-----
3Ph, 480V		TSi 040R 550 3P10 (A5)*	-----

*L-G Mode is only Protection Mode Option

THOR SYSTEMS continuously strives to improve its products. Occasionally there may be changes in features or optional equipment. All information contained in this printed material is based on the latest product information available at the time of printing. THOR SYSTEMS reserves the right to implement changes, without notice, in specifications and equipment services.

Fig. A - CONNECTION METHOD

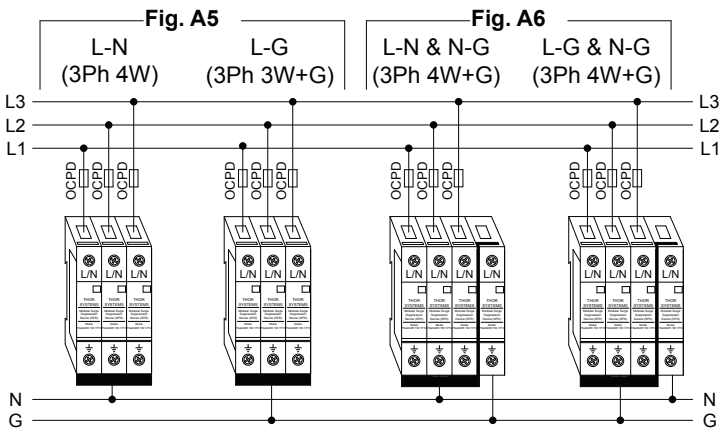
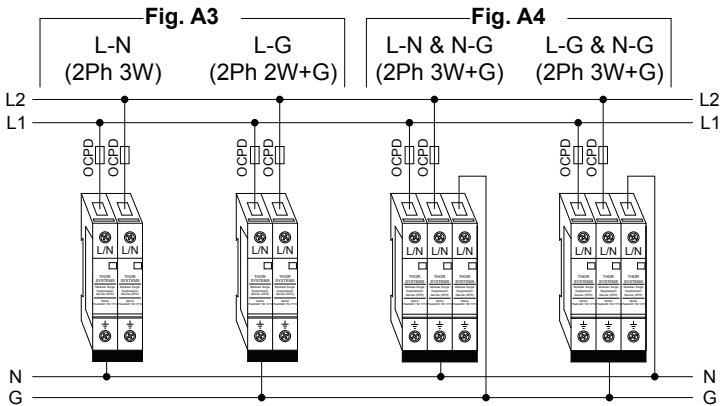
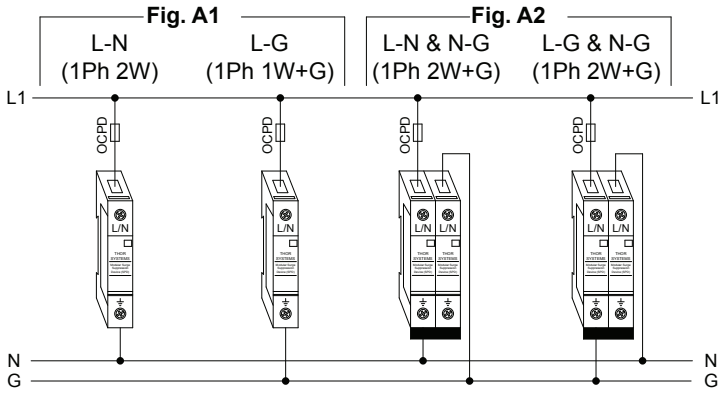
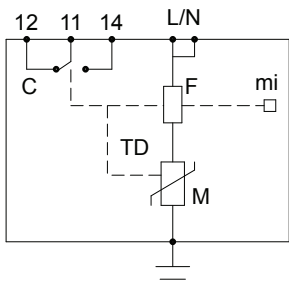
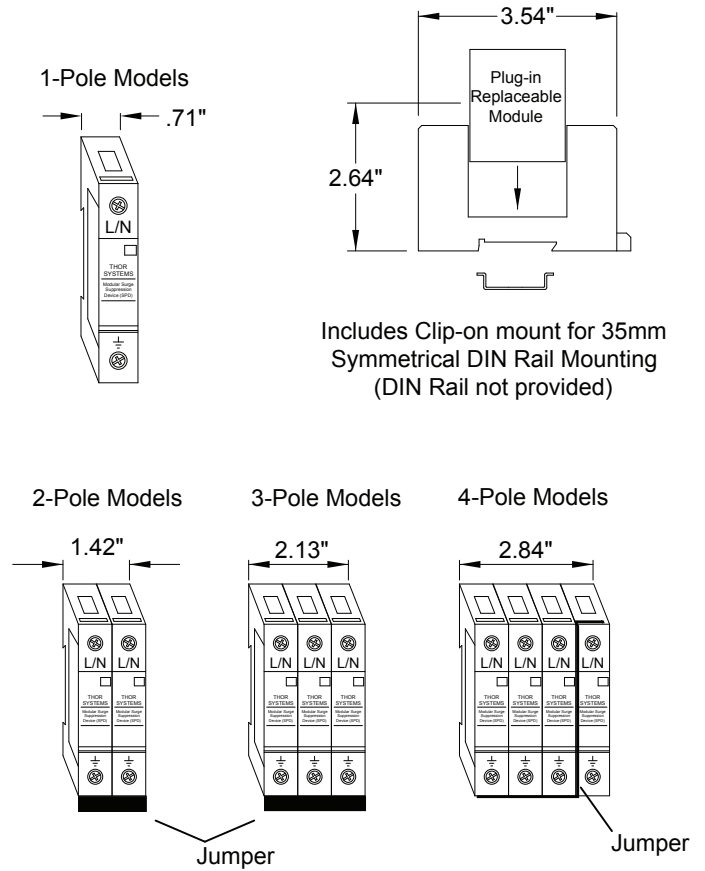


Fig. B - TECHNOLOGY / SCHEMATIC



- TD Thermal Disconnect
- F Thermal Fuse
- M Metal Oxide Varistor
- C Form C Contact (See Fig. D)
- mi Mechanical Indicator

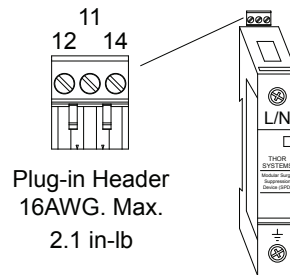
Fig. C - DIMENSIONS



2, 3 & 4-Pole Models include output jumpers secured in place by the output terminals. Keep in place when making connection.

FIG. D - FORM C CONTACT

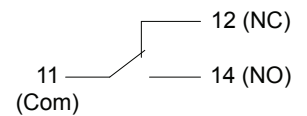
Remote Signal for disconnect indication



Plug-in Header
16AWG. Max.
2.1 in-hb

Signal:

SPD OK	SPD Fault
11 - 12 (NC)	11 - 12 (NO)
11 - 14 (NO)	11 - 14 (NC)



Contact Rating:
250Vac / .5A Max.
30Vdc / 3A Max.

