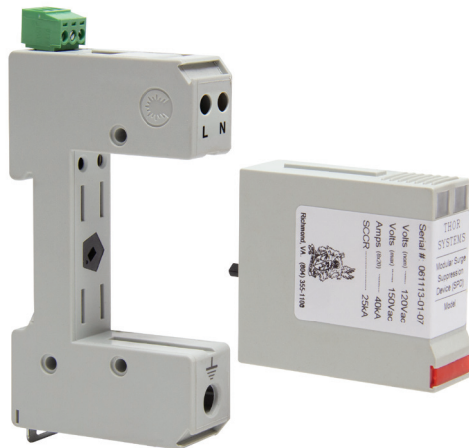


### AC Circuit SPD

- AC Rated (120Vac-277Vac)
- DIN Rail Mount
- 40kA Surge Rated
- Modular
- L-N, L-G & N-G Protection Modes
- Screw Terminal Connection



DIN Rail Mount Modular Design

### GENERAL SPECIFICATIONS

Application	AC Circuit SPD
Connection Method	Fig. A - Parallel or Modified-Series
Technology	Fig. B - Metal Oxide Varistor (MOV)
Protection Modes	2 Options
Modular	Yes
Form C Contact	UL1449 Recognized Type 4CA
Warranty	2 Years

### ELECTRICAL SPECIFICATIONS

Nominal Voltage	2 Options
Max. Operating Voltage (MCOV)	2 Options
Max. Surge Current	40kA
Max. Line Current (OCOD Size)	30A
Nom. Discharge Current (In)	20kA
Frequency	50 - 60Hz
Operating Temperature	-40°C to 60°C
Form C Contact	Yes (See Fig. D)

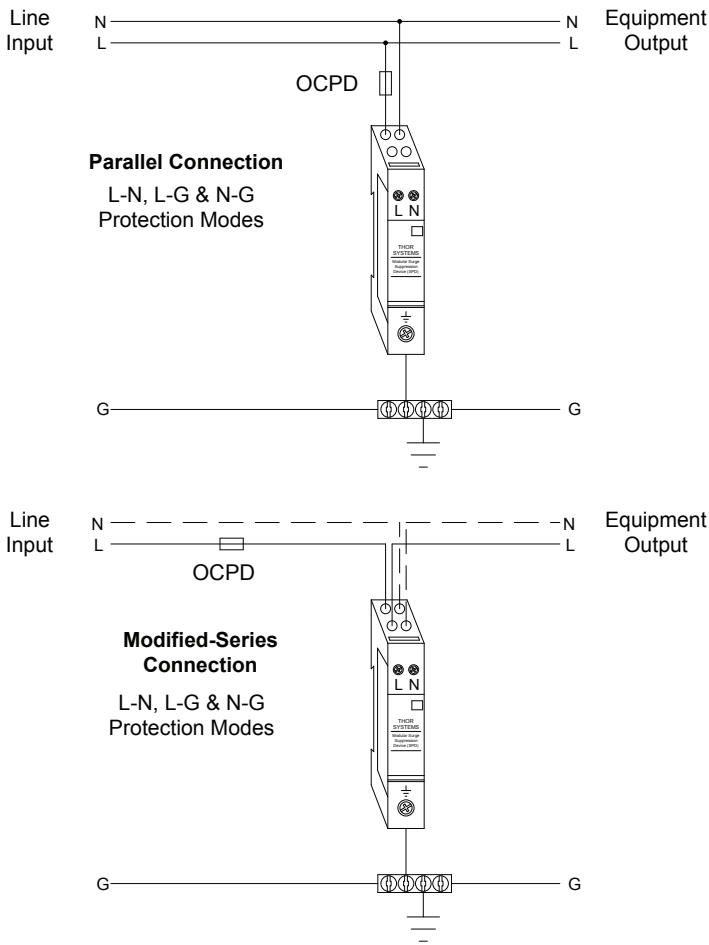
### MECHANICAL SPECIFICATIONS

Termination Method	Screw Terminal, L & N (#8 - #12AWG) Screw Terminal, G (#8 - #12AWG)
Disconnect Indication	Visual Indicator & Form C Contact
Housing	Thermoplastic NEMA 2 (IP20)
Dimensions	Fig. C - .71"W x 3.54"D x 2.64"H
Mounting	35mm Symmetrical DIN Rail
Outdoor Use	No
ROHs Compliant	Yes

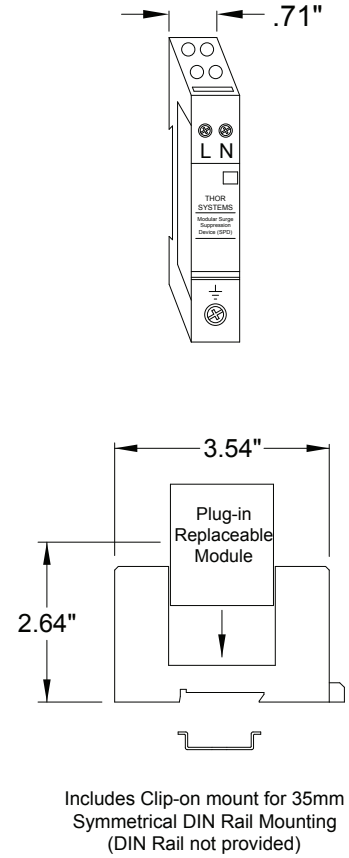
### AVAILABLE MODEL NUMBERS (Connection Figure)

Voltage Configuration	Model #
120Vac (2W + G)	TSai 040R 150 1P11
277Vac (2W + G)	TSai 040R 320 1P11

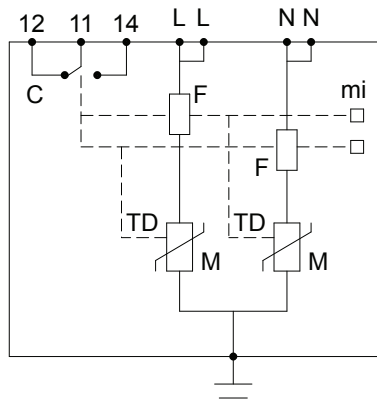
**Fig. A\_\_ - CONNECTION METHOD**



**Fig. C - DIMENSIONS**



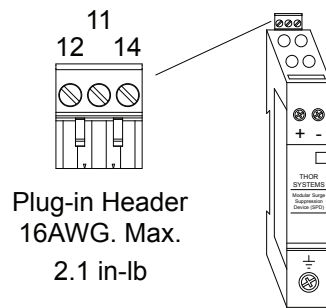
**Fig. B - TECHNOLOGY / SCHEMATIC**



- TD Thermal Disconnect
- F Thermal Fuse
- M Metal Oxide Varistor
- C Form C Contact (See Fig. D)
- mi Mechanical Indicator

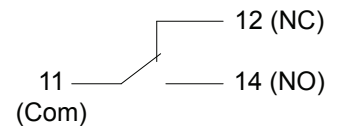
**FIG. D - FORM C CONTACT**

Remote Signal for disconnect indication



Signal:

SPD OK	SPD Fault
11 - 12 (NC)	11 - 12 (NO)
11 - 14 (NO)	11 - 14 (NC)



Contact Rating:  
250Vac / .5A Max.  
30Vdc / 3A Max.

