

Series TLp Spec Sheet



THOR SYSTEMS, INC.
 3621 Saunders Avenue
 Richmond, VA 23227-4354
 Ph 804.355.1100 - www.thorsystems.us



120Vac 1Ph (2W + G); L-N, L-G & N-G

- 120Vac, 277Vac & 480Vac (2W + G)
- Parallel or Series Connected
- 20kA Surge Rated
- L-N, L-G & N-G Protection Modes
- 14AWG Wire Leads
- Indoor or Outdoor Use

AVAILABLE MODEL NUMBERS (Connection Figure)

Voltage Configuration	Model #
120Vac (2W + G)	TLp 120 1020
277Vac (2W + G)	TLp 277 1020
480Vac (2W + G)	TLp 480 1020

GENERAL INFORMATION

Application	LED Lighting
Connection Method	Fig. A - Parallel or Series
Technology	Fig. B - Metal Oxide Varistor (MOV)
Protection Modes	L-N; L-G; N-G
Agency	UL1449 Recognized 4CA
Warranty	2 Years

ELECTRICAL INFORMATION

Nominal Voltage	480Vac (2Ph. 2W + G)
Max. Continuous Operating Voltage (MCOV)	550V
Maximum Surge Current	20kA
Max. Line Current (OCPD Size)	7A
Nominal Discharge Current (In)	10kA
Operating Temperature	-40°C to 85°C

MECHANICAL INFORMATION

Termination Method	#14AWG Wire Leads
Disconnect Indication	LED Indication
Housing	Polycarbonate NEMA 4X (IP65)
Dimensions	Fig. C - 4" x 2" x 1.50"
Mounting	Wall Mount
Outdoor Use	Yes
ROHs Compliant	No

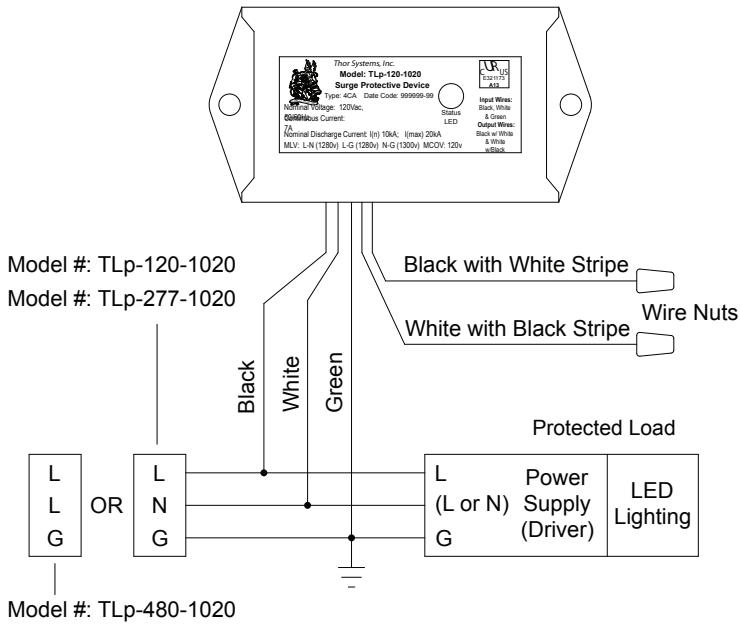
*L-G Mode is only Protection Mode Option

THOR SYSTEMS continuously strives to improve its products. Occasionally there may be changes in features or optional equipment. All information contained in this printed material is based on the latest product information available at the time of printing. THOR SYSTEMS reserves the right to implement changes, without notice, in specifications and equipment services.

SS-SPD-AC06-R00

Fig. A__ - CONNECTION METHOD

Parallel



Series

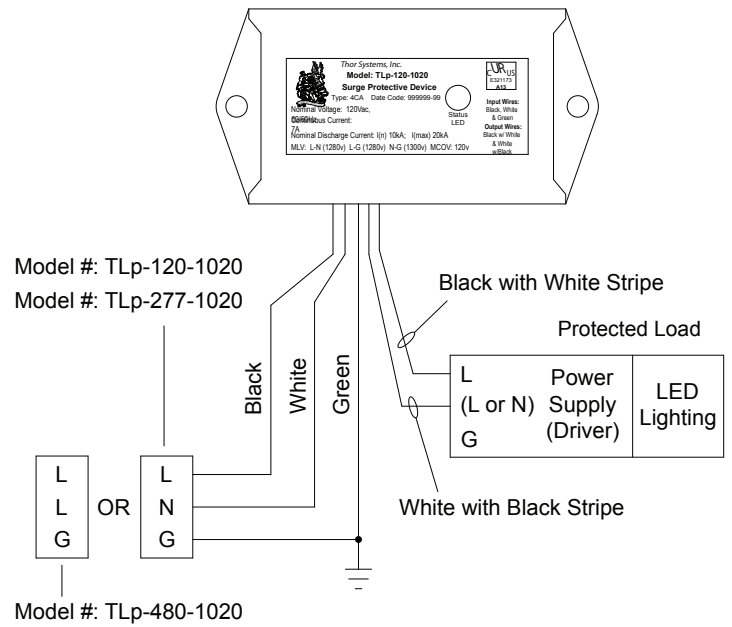


Fig. B - TECHNOLOGY / SCHEMATIC

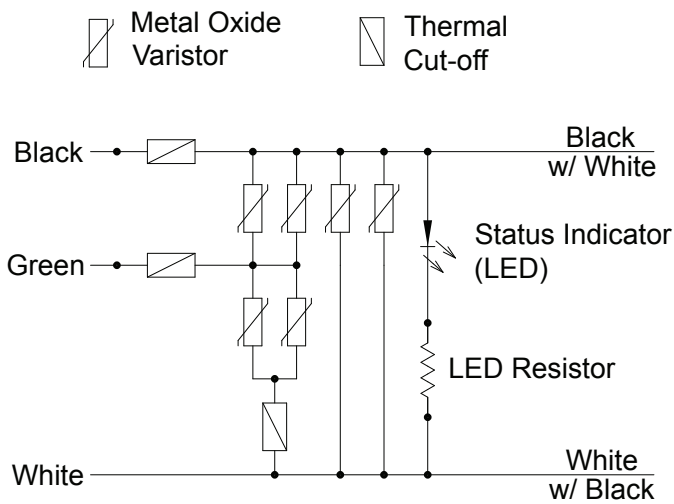


Fig. C - DIMENSIONS

