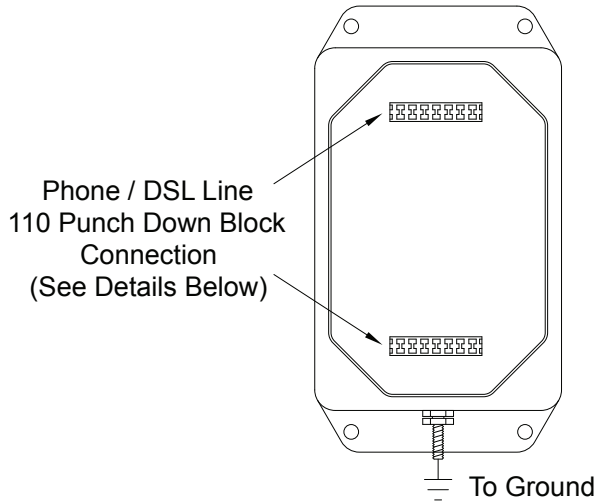
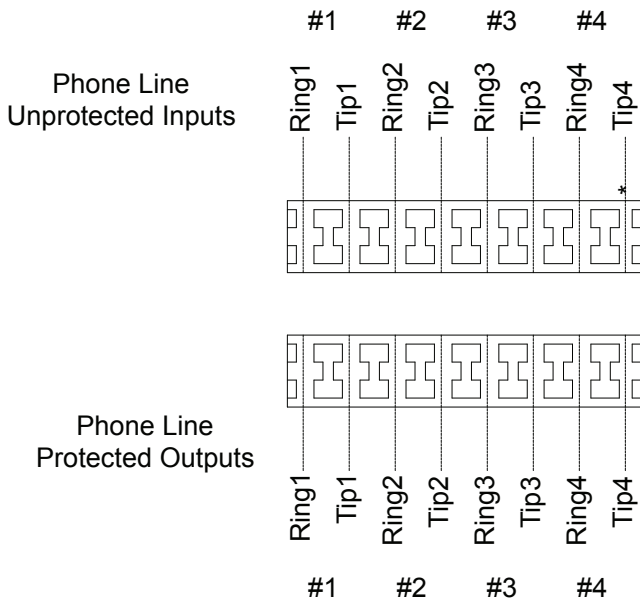


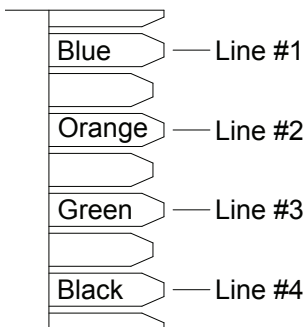
Fig. A - CONNECTION METHOD



**DETAILED VIEW:
110 Punch Down Blocks**



* For DSL lines, use Phone Line #4



- 110 Punch Down Blocks Details:**
- > Color Coded per Pair
 - > Accepts #22AWG - 26AWG Solid Copper Wire
 - > Contacts: Copper Alloy, Tin Plated

Fig. B - TECHNOLOGY / SCHEMATIC

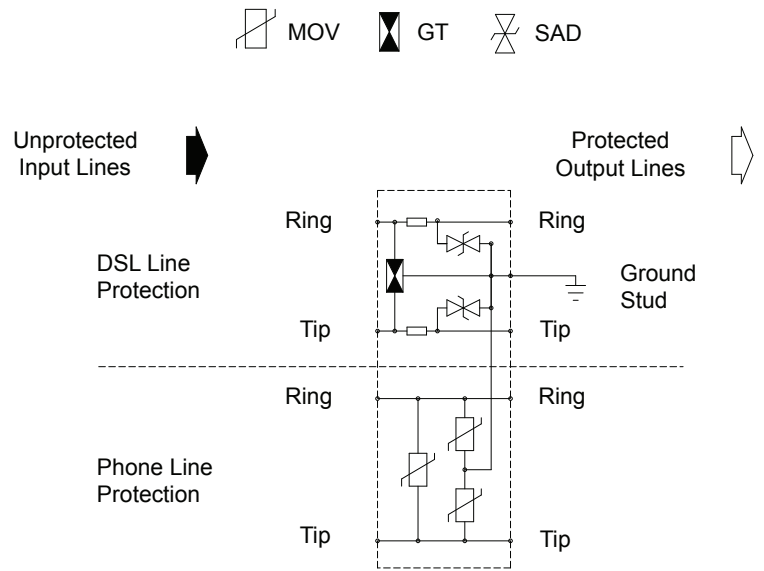


Fig. C - DIMENSIONS

