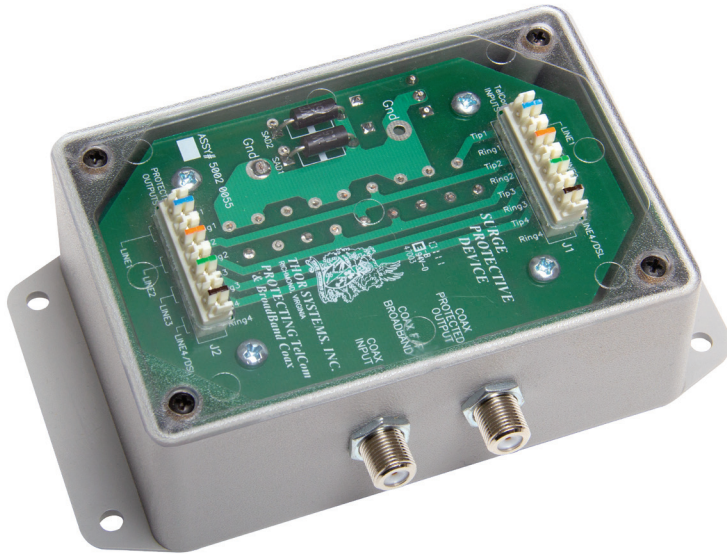


# Series TSz DSLC

## Spec Sheet



**THOR SYSTEMS, INC.**  
 3621 Saunders Avenue  
 Richmond, VA 23227-4354  
 Ph 804.355.1100 - www.thorsystems.us



\*\* Image is not model specific \*\*

### Phone, Fax, DSL & Coax SPD

- 110 Punch down Block Terminals
- Accepts (3) 2-Pair Phone or Fax Lines
- Accepts (1) 2-Pair DSL Lines
- Accepts (1) Coax Cable Lines
- Provides Line – Ground Surge Protection
- Type 'F' Coax Cable Connectors

### GENERAL SPECIFICATIONS

Application	Phone, Fax, DSL & Coax Cable
Connection Method	Fig. A - Series
Technology	Fig. B – MOV (Phone, Fax); Gas Tube & SAD (DSL); SAD (Coax)
Protection Modes	Line-Ground
Warranty	5 Years

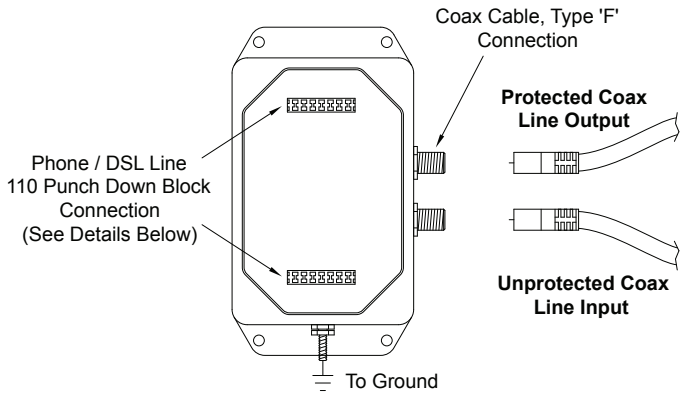
### ELECTRICAL SPECIFICATIONS

Nominal Voltage	48V (Coax Cable); 120V (Phone, Fax & DSL)
Max. Operating Voltage (MCOV)	60V (Coax Cable); 150V (Phone, Fax & DSL)
Max. Line Current	500mA (Phone, Fax & Coax Cable); 300mA (DSL)
Max. Discharge Current	30kA per Pair (Phone); 40kA per Pair (DSL); 15kA per System (Coax)
Max. Surge Current	24kA per Pair (Phone); 20kA per Pair (DSL); 10kA per System (Coax)
Frequency	Up to 1GHz
Operating Temperature	-40°C to 85°C

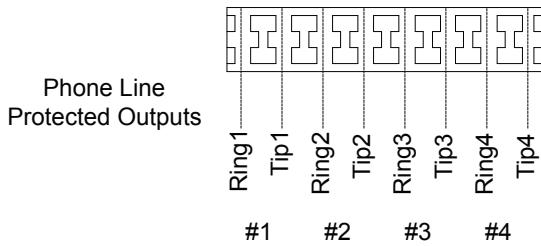
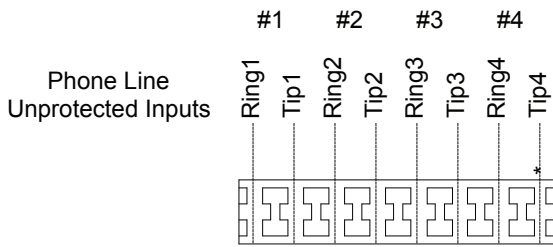
### MECHANICAL SPECIFICATIONS

Termination Method	110 Punch down Block (Phone & DSL); Type 'F' Coax Connectors (Coax)
Disconnect Indication	Transmission Interrupt
Enclosure	UL94-V2 ABS Plastic
Dimensions	See Fig. C
Mounting	Flange Mount
Install Location	Indoor

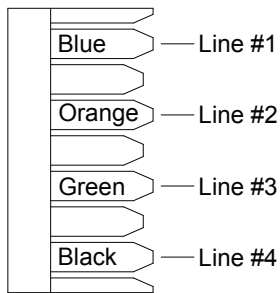
**Fig. A - CONNECTION METHOD**



**DETAILED VIEW:  
110 Punch Down Blocks**

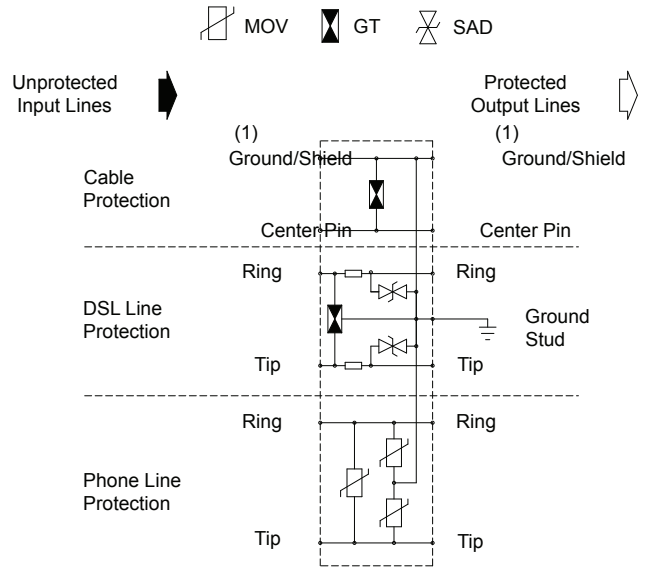


\* For DSL lines, use Phone Line #4



**110 Punch Down Blocks Details:**  
 > Color Coded per Pair  
 > Accepts #22AWG - 26AWG Solid Copper Wire  
 > Contacts: Copper Alloy, Tin Plated

**Fig. B - TECHNOLOGY / SCHEMATIC**



(1) Input Ground & Shield Connection made through Coax Connector.

Output Ground & Shield Connection made at Ground Stud.

**Fig. C - DIMENSIONS**

