

# Series TSdi Spec Sheet



**THOR SYSTEMS, INC.**  
3621 Saunders Avenue  
Richmond, VA 23227-4354  
Ph 804.355.1100 - www.thorsystems.us



## AC Circuit SPD

- General Duty DC SPD
- 12Vdc ñ 350Vdc
- Wired in Parallel or Modified-Series
- 20, 30 or 40kA Rated
- 3 Protection Modes
- DIN Rail Mount
- Screw Terminal Connection
- Modular

\*\* Image is not model specific \*\*

### AVAILABLE MODEL NUMBERS

Nominal Voltage	20kA Surge Rated	30kA Surge Rated	40kA Surge Rated
12Vdc (+)(-)(G) 9Vac (L-N-G)	TSdi 020R 012 D01M		
24Vdc (+)(-)(G) 17Vac (L-N-G)	TSdi 020R 024 D01M		
48Vdc (+)(-)(G) 34Vac (L-N-G)		TSdi 030R 048 D01M	
75Vdc (+)(-)(G) 53Vac (L-N-G)			TSdi 040R 075 D01M
95Vdc (+)(-)(G) 67Vac (L-N-G)			TSdi 040R 095 D01M
110Vdc (+)(-)(G) 78Vac (L-N-G)			TSdi 040R 110 D01M
130Vdc (+)(-)(G)			TSdi 040R 130 D01M
220Vdc (+)(-)(G)			TSdi 040R 220 D01M
280Vdc (+)(-)(G)			TSdi 040R 280 D01M
350Vdc (+)(-)(G)			TSdi 040R 350 D01M

### GENERAL SPECIFICATIONS

Application	AC DIN Rail
Connection Method	Fig. A - Parallel or Modified-Series
Technology	Fig. B - Metal Oxide Varistor (MOV)
Protection Modes	3 Options
Modular	Yes
Agency	UL1449 Recognized Type 4CA
Warranty	2 Years

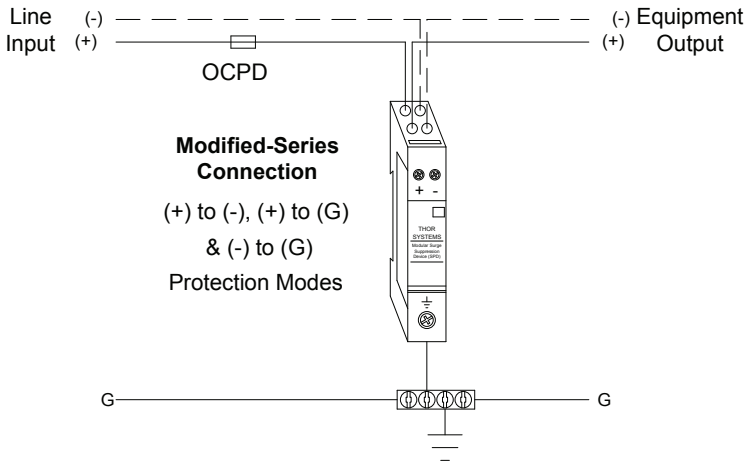
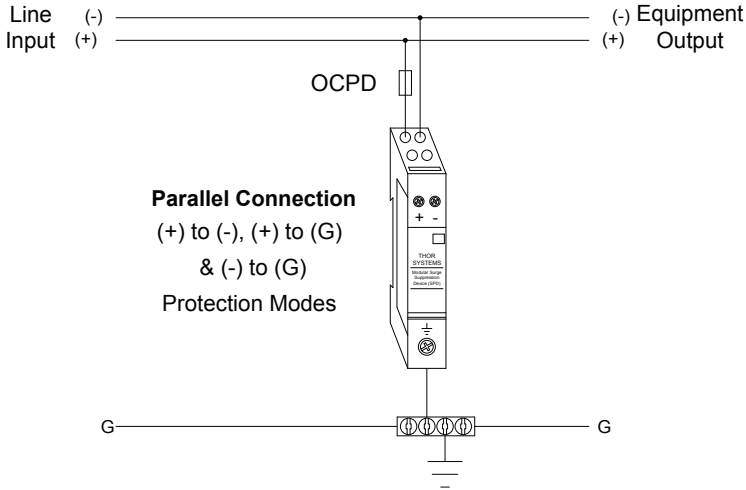
### ELECTRICAL SPECIFICATIONS

Nominal Voltage	12 Options
Max. Operating Voltage (MCOV)	12 Options
Max. Surge Current	40kA
Max. Line Current (OCOD Size)	30A
Nom. Discharge Current (In)	20kA
Frequency	50 - 60Hz
Operating Temperature	-40°C to 60°C
Form C Contact	Yes (See Fig. D)

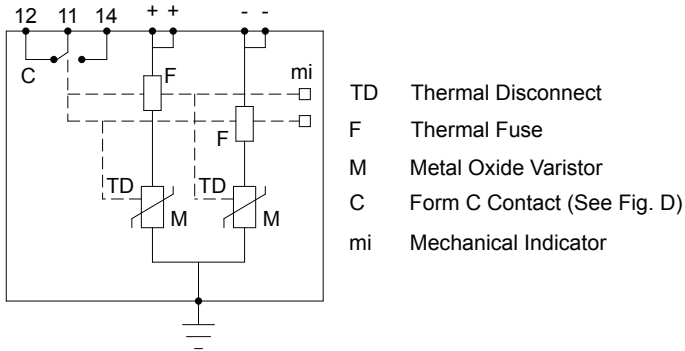
### MECHANICAL SPECIFICATIONS

Termination Method	Screw Terminal (#8 - #12AWG)
Disconnect Indication	Visual Indicator & Form C Contact
Housing	Thermoplastic NEMA 2 (IP20)
Dimensions	4 Options
Mounting	35mm Symmetrical DIN Rail
Outdoor Use	No
ROHs Compliant	Yes

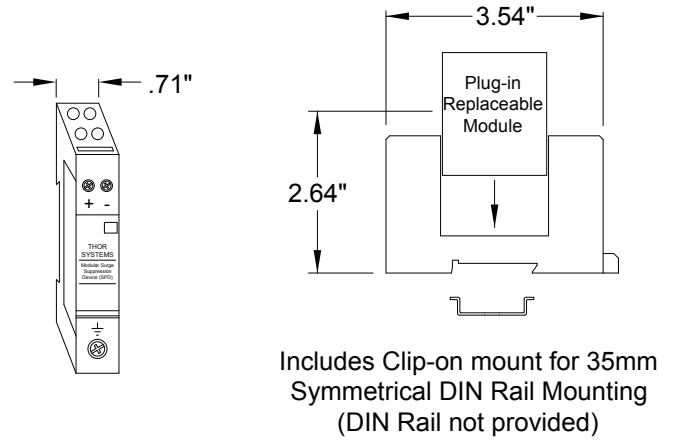
**Fig. A\_\_ - CONNECTION METHOD**



**Fig. B - TECHNOLOGY / SCHEMATIC**



**Fig. C - DIMENSIONS**



**FIG. D - FORM C CONTACT**

