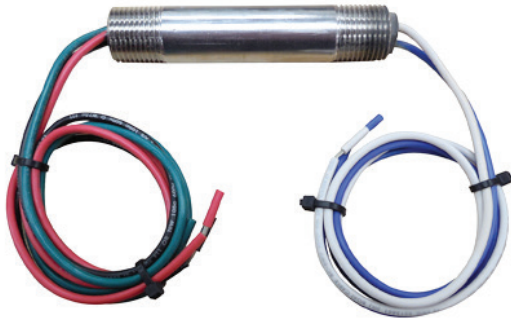
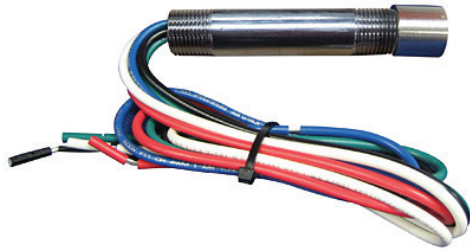
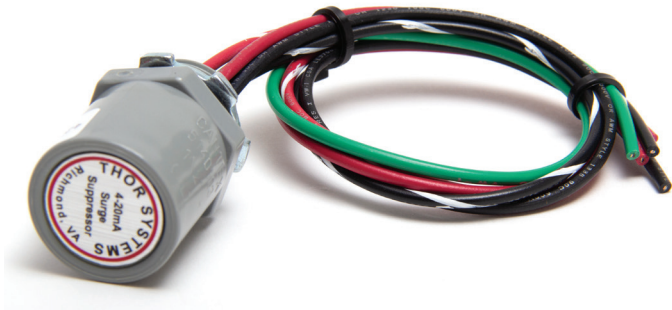


Series TSdt 420

Spec Sheet



THOR SYSTEMS, INC.
 3621 Saunders Avenue
 Richmond, VA 23227-4354
 Ph 804.355.1100 - www.thorsystems.us



** Image is not model specific **

Data Telcom SPD

- 1-Pair, 24Vdc, 4-20mA Current Loop Device
- ½" Trade Size Conduit Mounting
- 10kA or 15kA Surge Rated Options
- Line – Ground & Line – Line Protection Modes
- Wire Lead Connection
- PVC or Stainless Steel Housing

GENERAL SPECIFICATIONS

Application	Dataline SPD
Connection Method	Fig. A - Series
Technology	Fig. B - Gas Tube & TVS Diode
Protection Modes	Line-Ground & Line-Line
Warranty	2 Years

ELECTRICAL SPECIFICATIONS

Nominal Voltage	24Vdc
Max. Operating Voltage (MCOV)	28Vdc
Max. Surge Current	10kA
Max. Line Current (OCPD Size)	300mA
Ambient Temperature	-55°C to 50°C (PVC Model) -55°C to 85°C (Stainless Models)

MECHANICAL SPECIFICATIONS

Termination Method	Discrete Wires
Disconnect Indication	Transmission Interrupt
Housing	PVC or Stainless Steel
Dimensions	See Fig. C
Mounting	1/2" Conduit Hub
Outdoor Use	No

AVAILABLE MODEL NUMBERS

Application	Nominal Voltage	Housing	Model Number
4-20mA	24V	PVC	TSdt 420mA 024 PP
		316 Stainless Steel	TSdt 420mA 024 PS
			TSdt 420mA 024 SS

Fig. A__ - CONNECTION METHOD

Fig. A1

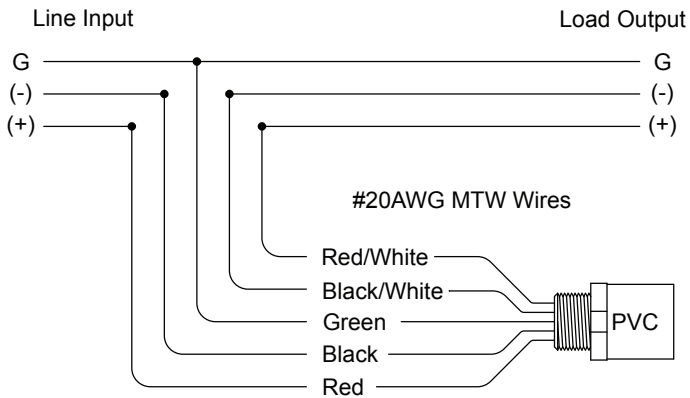


Fig. A2

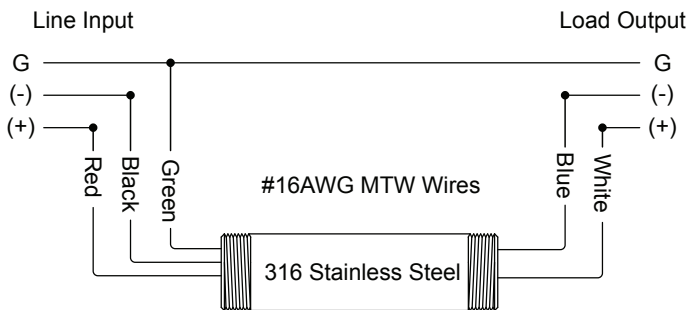


Fig. A3

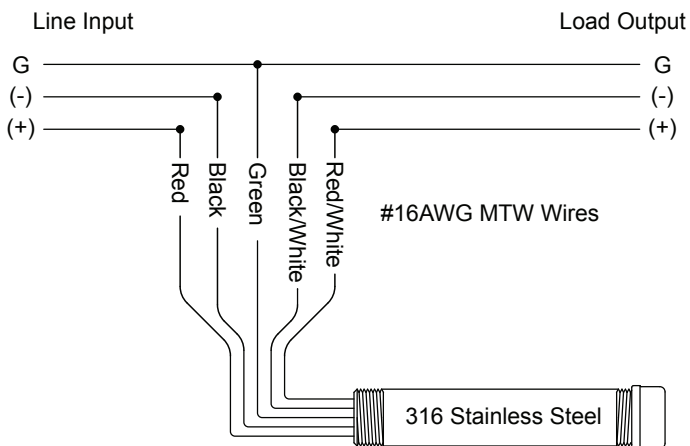


Fig. B - TECHNOLOGY / SCHEMATIC

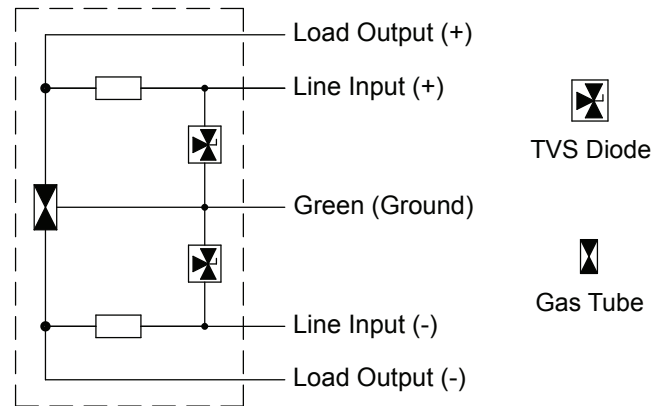


Fig. C - DIMENSIONS

Fig. C1

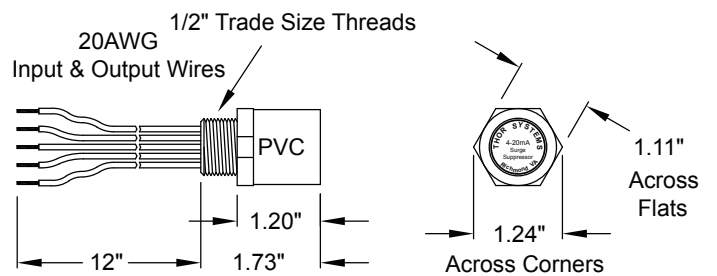


Fig. C2

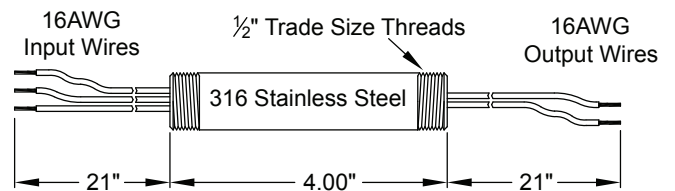


Fig. C3

